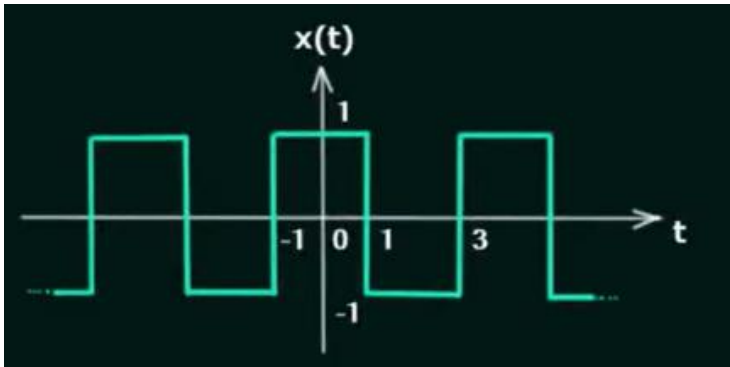


### Tutorial 1-03-g

Since the mathematics is rather complex, watch the video for the steps to work out the solution.

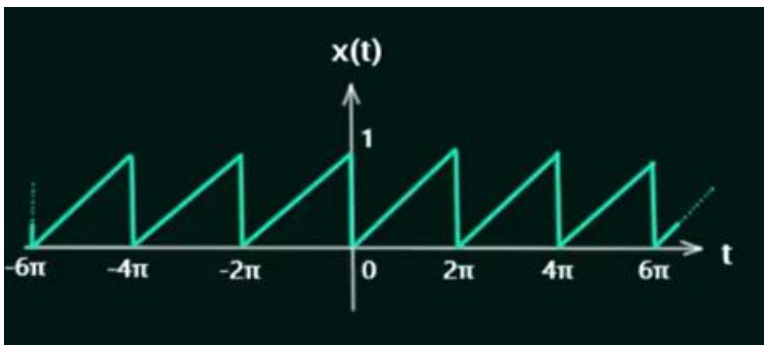
#### Question 1

Find the trigonometric Fourier Series expansion (problem 1)



#### Question 2

Find the trigonometric Fourier Series expansion (problem 2)



#### Question 3

Complex Exponential Fourier Series expansion (problem 1)

