

Tutorial 1-02-b

Question 1

3.1 Find V_3 and its polarity if the current I in the circuit of Fig. 3-7 is 0.40 A.

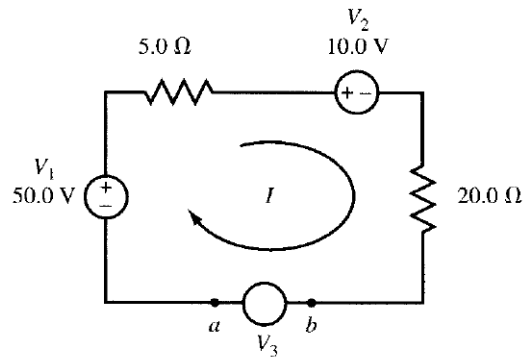


Fig. 3-7

Question 2

3.2 Obtain the currents I_1 and I_2 for the network shown in Fig. 3-8.

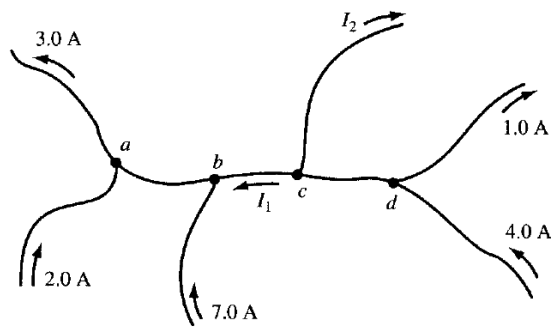


Fig. 3-8

Question 3

3.3 Find the current I for the circuit shown in Fig. 3-9.

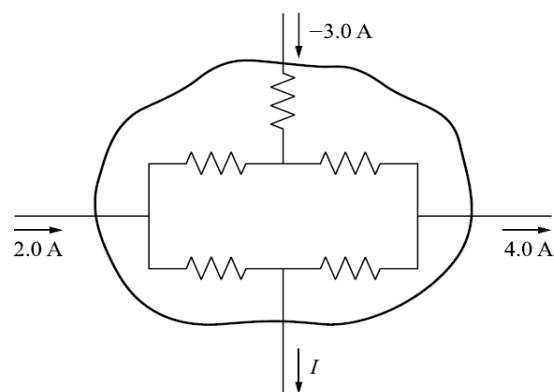


Fig. 3-9

Question 4

Find all branch currents in the network shown in Fig. 3-14(a).

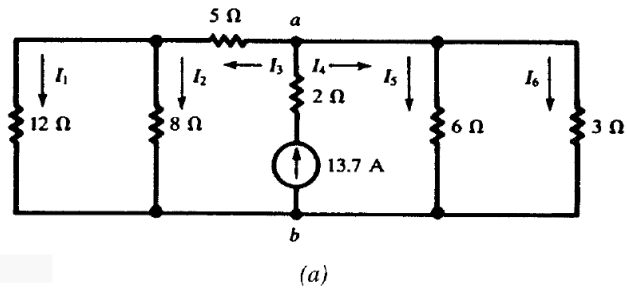


Fig 3-14(a)

Question 5

Obtain the current in each branch of the network shown in Fig. 4-1. (current branch method)

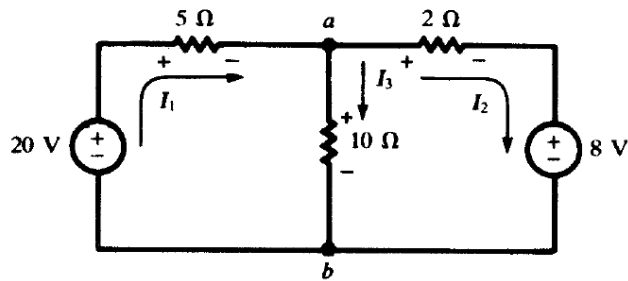


Fig. 4-1

Question 6

Obtain the current in each branch of the network shown in Fig. 4-2 (current mesh method)

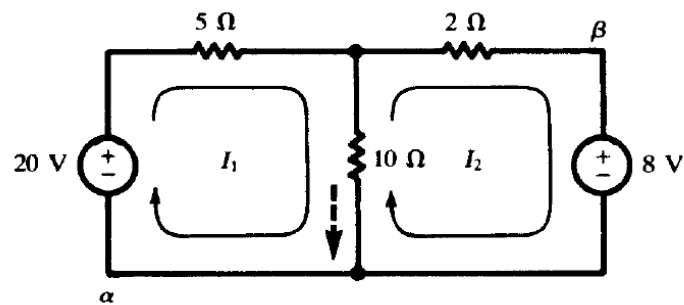


Fig. 4-2