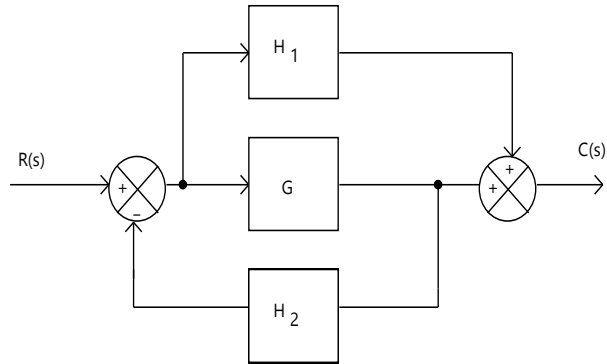


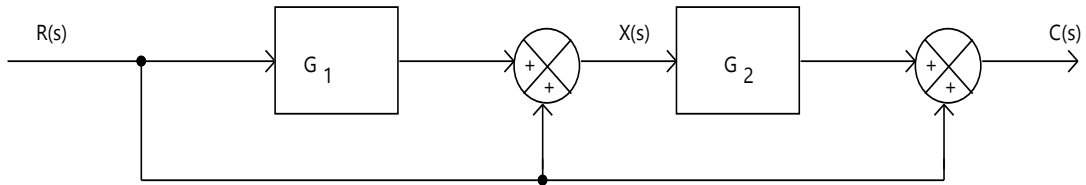
1-01-c – Tutorial - System Block Diagrams

Simplify the block diagrams shown below:

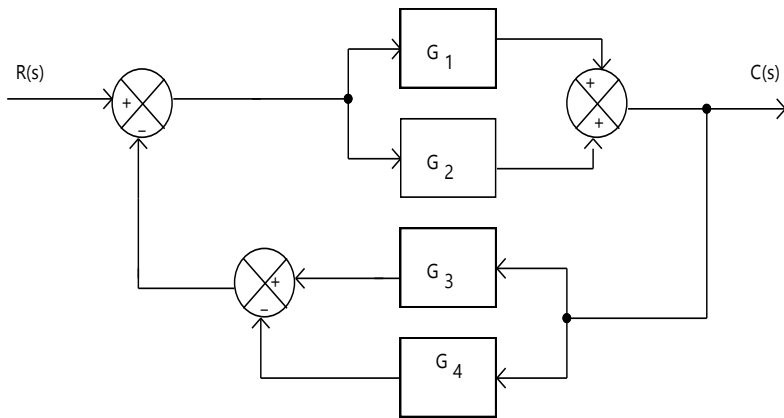
Q1



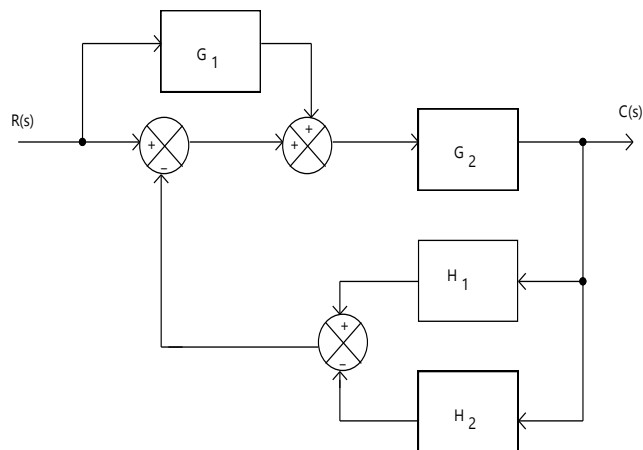
Q2



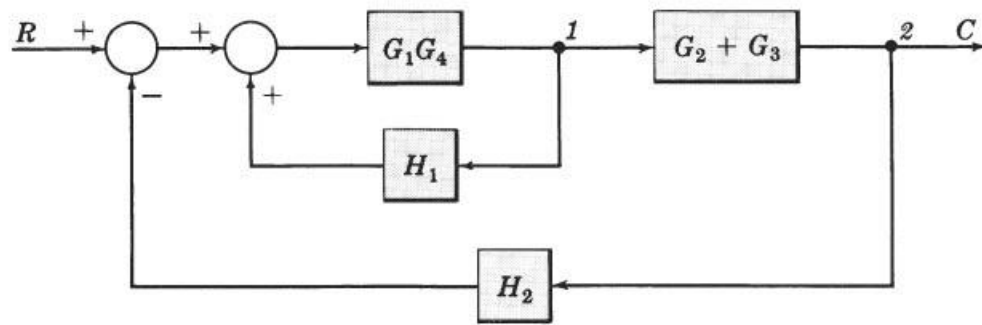
Q3



Q4



Q5 (ex 7-10 Schaum's)



EXAMPLE 7.10. Let us reduce the block diagram of Example 7.9, isolating block H_1 .
Steps 1 and 2: